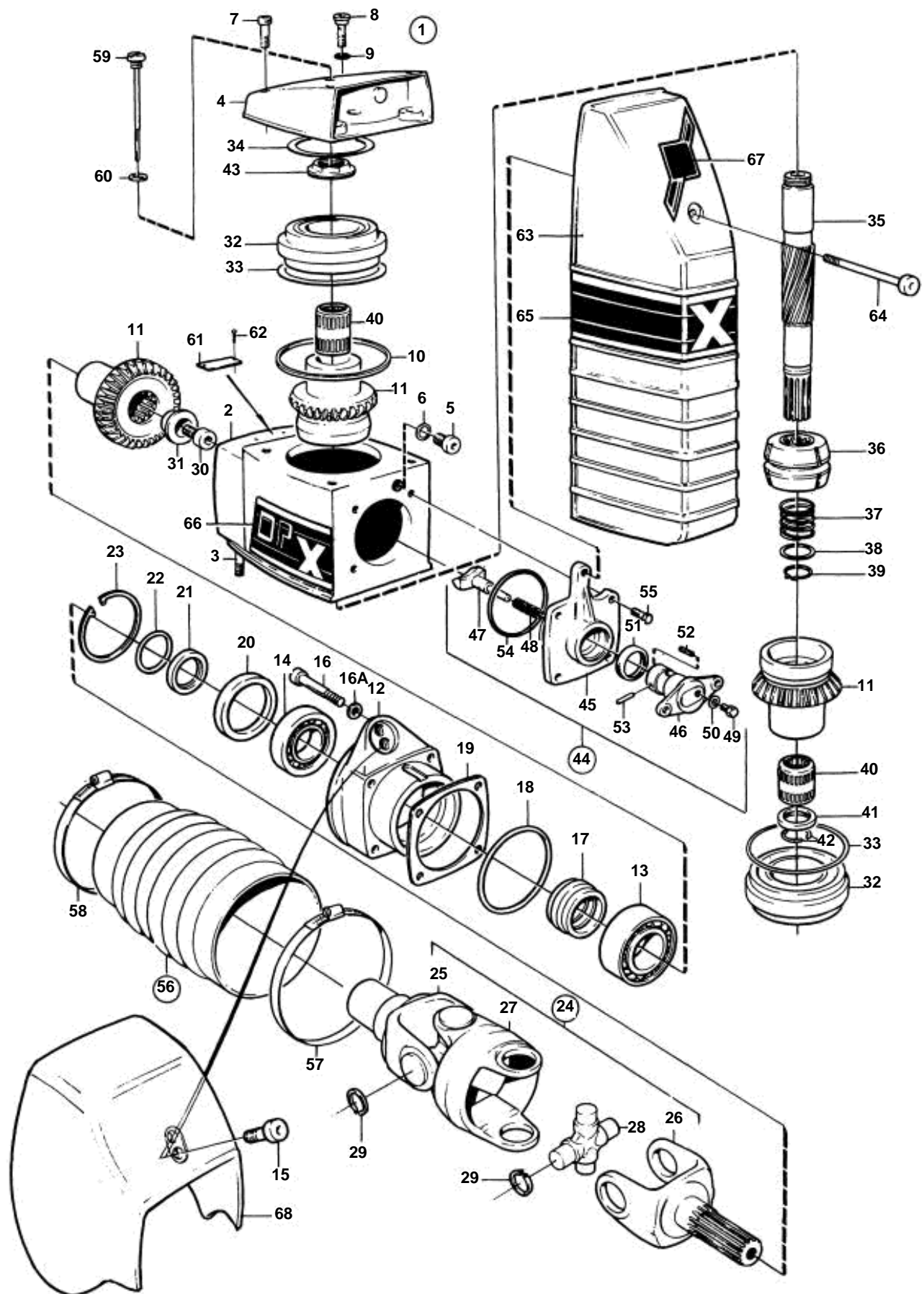


DPX - UPPER GEAR UNIT



DPX - UPPER GEAR UNIT

REF	PART NO.	QTY	DESCRIPTION	SEE SEC.	NOTES
	3868020	1	Drive, Complete assy, DPX (1.59:1)		
	3868021	1	Drive, Complete assy., DPX (1.68:1)		
	3868023	1	Drive, Complete assy., DPX (1.78:1)		
1	873310	1	Upper gear unit		
2	854571	1	• Housing		
3	977241	2	• Stud		
4	854677	1	• Cover		
5	814179	1	• Plug		
6	897682	1	• Gasket		
7	941807	3	• Screw		
8	814643	1	• Hollow screw		
9	955989	1	• O-ring		
10	832669	1	• Gasket		
11	853917	1	• Gear set		
12	854025	1	• Bearing box		
13	853949	1	• Roller bearing		
14	183247	1	• Bearing		
15	941807	2	• Screw		
16	956591	4	• Screw		
16a	942598	4	• Washer		
17	853484	1	• Pretensioning sleeve		
18	925095	1	• O-ring		
19	853034	X	• Adjusting washer, 10 mm)		
	853035	X	• Adjusting washer, 15 mm)		
	853036	X	• Adjusting washer, 35 mm)		
20	839253	1	• Sealing ring		
21	832675	1	• Washer		
22	956000	1	• O-ring		
23	914538	1	• Lock ring		
24	854615	1	• Universal joint		
			• Bulletin P-44-1-5	P-44-1-5-EN	U-joints
25	854616	1	• • Fork		
26	854617	1	• • Fork		
27	854618	1	• • Intermediate section		
28	854619	2	• • Spider		
29	24383	8	• • Lock ring		
30	854201	1	• Screw		
31	853026	1	• Washer		
32	854670	2	• Ball bearing		
33	943869	X	• Adjusting washer, 05 mm)		
	946179	X	• Adjusting washer, 10 mm)		
	943870	X	• Adjusting washer, 24 mm)		
34	941826	X	• Adjusting washer, 05 mm)		
	941827	X	• Adjusting washer, 20 mm)		
	948230	X	• Shim, 35 mm)		
35	853916	1	• Shaft		
36	854222	1	• Sliding sleeve		
			• Bulletin P-44-1-8	P-44-1-8-EN	Shift mechanism, shift cone and shoe
37	813970	1	• Spring		
38	854126	1	• Washer		
39	951078	1	• Snap ring		
40	853819	2	• Needle bearing		
41	854192	1	• Spacer ring		
42	853888	2	• Lock ring		
43	854228	1	• Nut		
	854229	1	• Nut, 20 mm)		
	854230	1	• Nut, 40 mm)		
	3852375	1	• Nut, 60 mm)		
44		1	• GEARSHIFT MECHANISM		
45	872993	1	• • Bearing housing		
46	897816	1	• • Eccentric piston		
			• • Bulletin P-44-1-7	P-44-1-7-EN	Shift mechanism, eccentric piston
47	839646	1	• • Dog		
48	814184	1	• • Spring		

DPX - UPPER GEAR UNIT

REF	PART NO.	QTY	DESCRIPTION	SEE SEC.	NOTES
49	897711	1	• • Screw		
50	897871	X	• • Adjusting washer		
51	853868	1	• • Sealing ring		
52	951924	1	• • Tensioning din		
53	942871	1	• • Pin		
54	925093	1	• • O-ring		
55	940169	4	• Screw		
56	876294	1	• Bellows kit		
57	853013	1	• • Hose clamp		
58	853012	1	• • Hose clamp		
59	839351	1	• Oil dipstick		
60	955974	1	• O-ring		
61	853706	1	• Type plate		
62	804269	2	• Drive screw		
63	872957	1	Cover		Included in complete drive unit
64	925052	2	Rubber ring		Included in complete drive unit
	959427	1	Allen head screw		Included in complete drive unit
65	872344	1	Decal		Included in complete drive unit
66	872343	1	Decal		Included in complete drive unit
	872342	1	Decal		Included in complete drive unit
67	854144	1	Decal		Included in complete drive unit
68	872759	1	Protecting casing		Included in complete drive unit